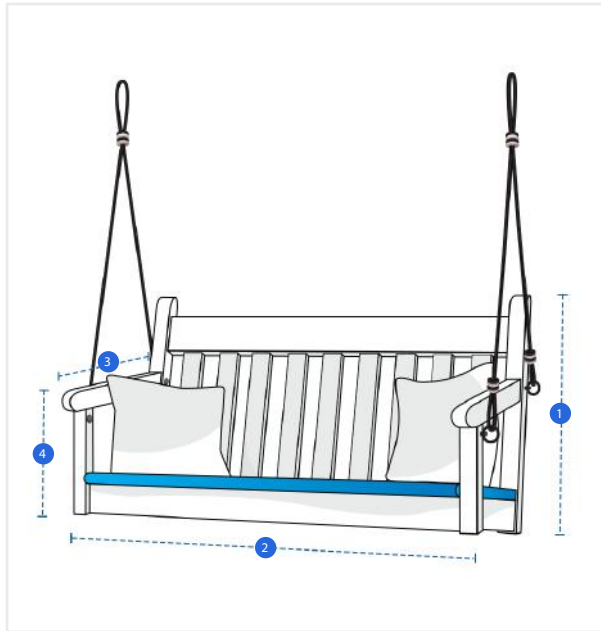


How to Measure Outdoor Swing Covers

Measurement Instruction

- ✓ Give exact measurement from edge to edge.
- ✓ We add 1" to 2" leeway on the given width/depth for easy pull-in and pull-out.
- ✓ The height dimensions will remain same as provided by you.



Measurement (Inches)

1. Height

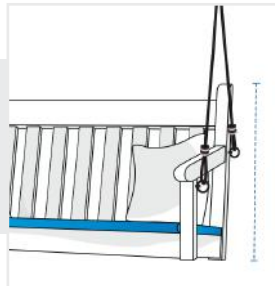
2. Width

3. Depth

4. Front Height

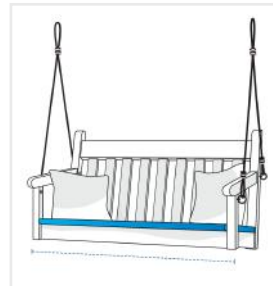
1. Height:

Height of the Outdoor Swing



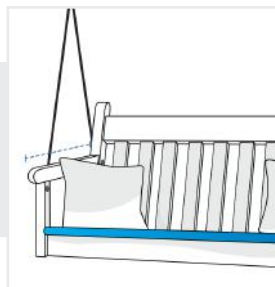
2. Width:

Width of the Outdoor Swing



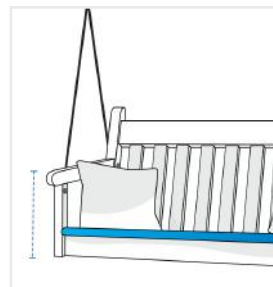
3. Depth:

Depth of the Outdoor Swing



4. Front Height:

Front Height of the Outdoor Swing



We encourage you to upload the image of the article you need the cover for - this helps our team ensure covers are designed keeping your requirements in mind.